

SFF PROSNK BN

SAFFRON Tap Range Saffron Professional Sink Mixer Brushed Nickel



Specification

Product Type:	Kitchen Taps
Main Construction Material:	Brass
Mount Type:	Deck
Handle Type:	Lever
Connection Inlet:	1/2" BSP Flexible Tails
Connection Outlet:	Spray Head
Number of Tap Holes:	1
Valve/Cartridge Type:	35mm Cartridge
Plumbing System Requirements:	Suitable for high pressure systems
Working Pressure Range:	Min 1.5bar, Max 5.0bar
Maximum Hot Water Temperature: °C	65
Maximum Static Pressure: (bar)	10
Flow Type:	Dual
Isolation Included:	No

Features:

- Long life ceramic cartridge for added durability and ease of use
- Metal fixing nut for added durability
- Minimum working pressure of 1.5 bar
- Flexible tails included
- Particular attention should be paid to this product which will need to be installed in accordance with your local Water Authority/Water Regulations

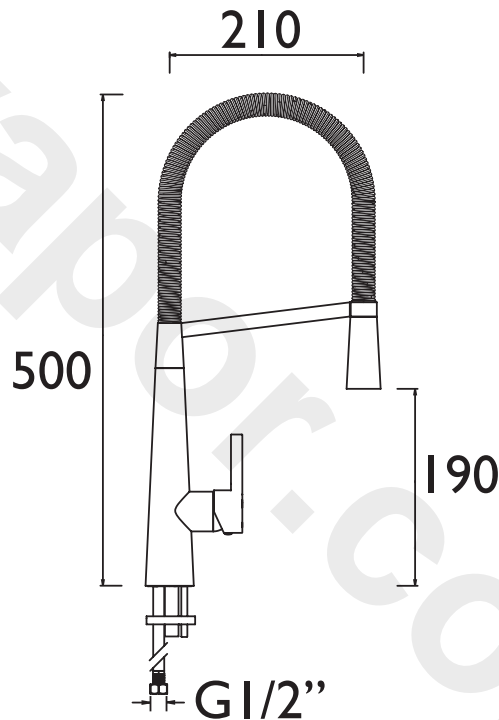
Product Certifications:



For more products, visit our website:
<http://www.bristan.com>



Dimensions (measurements in mm)



Flow Rates (l/min)

System Pressure (bar)	1.5	2	3	4	5
SFF PROSNK BN	4.9	5.6	7.2	8.3	9.3

TECHNICAL DATA SHEET



BRISTAN

TAPS & SHOWERS

D2